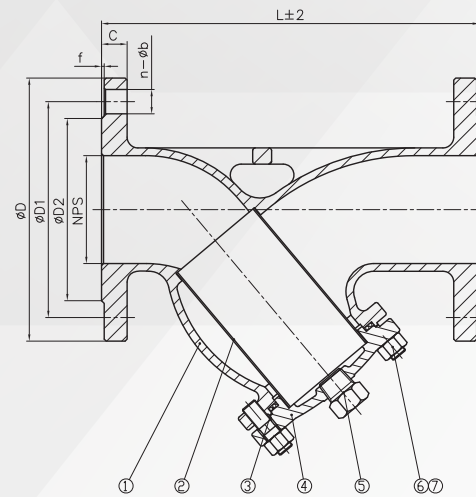
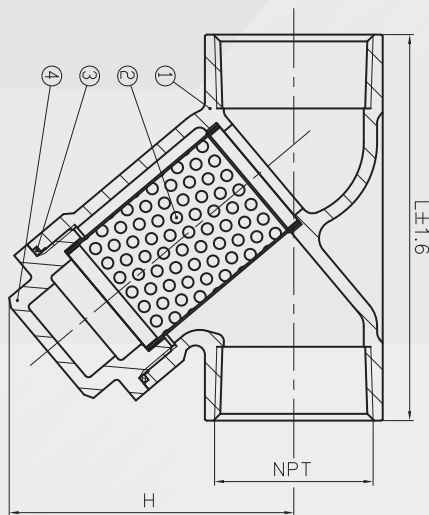




ANIX VALVE CO.LTD, Certified ISO 9001.
www.anixusa.com

Installation, Operation, and Maintenance (IOM) Manual for Y Strainers

For Threaded and Flanged Models



4	BONNET	1	A351 CF8M
3	GASKET	1	PTFE
2	SCREEN MESH	1	SS316
1	BODY	1	A351 CF8M

7	NUT	-	A194 2H
6	STUD	-	A193 B8
5	PLUG	1	A351 CF8
4	BONNET	1	A216 WCB
3	GASKET	1	SS304+Graphite
2	BASKET	1	SS304
1	BODY	1	A216 WCB

Refer to the diagram and parts list above for a detailed view of each component, assisting with installation, operation, and maintenance for optimal valve performance.



ANIX VALVE CO.LTD, Certified ISO 9001.

www.anixusa.com

Note: This document is a general guideline for the installation, operation, and maintenance of Flanged and Threaded Y Strainers, intended to assist trained personnel in following recommended procedures. It is not an exhaustive set of instructions. Carefully read the manual for safe and efficient use. We are not liable for damages arising from its use. Consult a professional if you have specific concerns related to your application or environment. For additional assistance, contact your supplier or representative.

PRODUCT OVERVIEW

- Y Strainers are durable pipeline components designed to filter debris like dirt and scale, protecting downstream equipment such as pumps and valves. Their Y-shaped design allows efficient filtration in industrial, HVAC, and water systems. Available in threaded and flanged options, they ensure clean fluid flow, reduce downtime, and maintain system integrity.

INSTALLATION PROCEDURE

- **Inspect the Strainer:**
 - Check for visible damage, loose parts, or debris before installation.
 - Ensure the pressure rating matches the system's requirements.
- **Flow Direction:**
 - Confirm the strainer is installed with the arrow on the body pointing in the direction of flow.
- **Positioning:**
 - For horizontal pipelines, the strainer cap should face downward.
 - For vertical pipelines, install the strainer so that flow enters from the bottom and exits the top.





ANIX VALVE CO.LTD, Certified ISO 9001.
www.anixusa.com

- **Threaded Connections:**

- Ensure piping is straight and aligned before threading the cap onto the strainer.
- Avoid overtightening or installing at an angle to prevent leaks.

- **Flanged Connections:**

- Align the flanges of the connecting pipes to ensure they are square.
- Tighten flange bolts evenly in a crisscross pattern to ensure a secure seal.
- Avoid placing undue stress on the pipe when tightening bolts.

OPERATION INSTRUCTIONS

- Regularly monitor the system for debris build-up in the strainer using a differential pressure gauge, if installed.
- Clean the strainer when the pressure differential reaches 5-10 psi to maintain efficiency.





ANIX VALVE CO.LTD, Certified ISO 9001.
www.anixusa.com

MAINTENANCE INSTRUCTIONS

- **For Y Strainers with a Blow-Down Valve**
 - Open the valve to flush out sediment until the discharge runs clear.
- **For Y Strainers Without a Blow-Down Valve.**
 - Shut down the system and isolate the strainer.
 - Remove the cover or cap.
 - Remove the screen, clean it thoroughly, or replace it if damaged.
 - Reinstall the screen, ensuring it is seated properly.
 - Replace the gasket if necessary and secure the cover or cap.
- **Replacement Parts**
 - For replacement screens or gaskets, provide the following information:
 - Size and model of the strainer.
 - Type of service (e.g., water, gas, oil).
 - Working pressure and temperature of the system.

